

## Flameproof and Dust protection by enclosure

Zone 1 & 2 – 21 & 22

### Application

SCF - ALLCO® Sealing Compound

- For seal forming between and around each electrical conductor inside of sealing fitting to restrict the passage of gases, vapors and flames.

SCF - ALLCO® Sealing Fiber

- Forms a positive dam to hold sealing compound in the sealing fitting.

### Technical Data

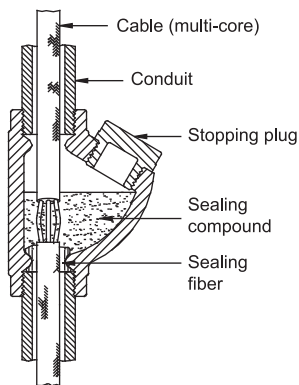
<b>Hazardous Area</b>	Gas	Dust
<b>Zones</b>	1 & 2	21 & 22
<b>Compliance with</b>	Equipment and protective systems intended for use in potentially explosive atmospheres, Directive 2014/34/EU	
<b>Standards</b>	EN 60079-0:2012+A11:2013, EN 60079-1:2014, EN 60079-14:2013	
<b>Ambient Temperature</b>	-20°C to +75°C	

### Feature

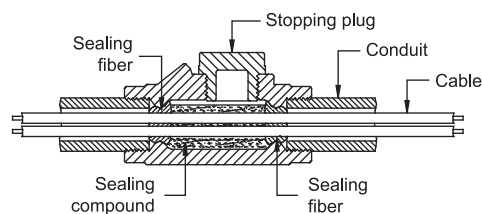
- SCF - ALLCO® Sealing Compound is water soluble powder that can be easily mixed and poured. Mix 2 parts by volume of SCF -ALLCO® Sealing Compound with 1 part of clean water in a completely clean container. Stir it immediately and thoroughly then pour this compound into the sealing fitting. Compound will harden in 60 minutes then form a secure non-shrinking, acids, water and oil resistant seal.
- SCF - ALLCO® Sealing Fiber is a rope type asbestos fiber that easy to form a dam and non-flammable.

### Packing

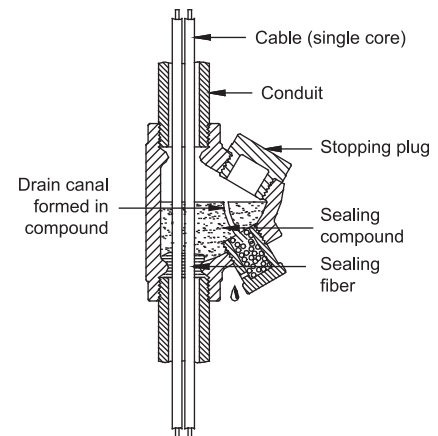
- SCF - ALLCO® Sealing Compound and Sealing Fiber are packed together in standard package 454 g. (1 lb.).
- Note :** SCF - ALLCO® Sealing Compound and Fiber are approved for use only with ALLOY sealing fittings.



Vertical seal



Horizontal seal



Vertical seal and water drain

Depth of sealing compound should be equal to the trade size of conduit, having a minimum of 5/8 inch thickness. Close the plug immediately after pouring.

**Caution :** Do not mix more than it can be poured within 10 minutes after adding water. Use cold water, warm water increases speed of setting. Partical of previous mixing or dirt may spoil the seal.

# Conduit Fitting: Sealing Compound (Resin, Hardener and Fiber)



Flameproof and Dust protection by enclosure  
Zone 1 & 2 – 21 & 22

## Application

SCFR-R100 Resin and SCFR-H100 Hardener  
 ■ SCFR-R100 Resin and SCFR-H100 Hardener are certified for use in connection to the sealing fittings type DYS, DYK and/or DYD, therefore the sealing compound and the sealing fittings can be sold only coupled and never separately. The sealing must be done properly to prevent passage of gas, vapours or flames through the pipe system.

SCFR-F100 Fiber

■ The Fiber is inserted into the sealing fittings to avoid that the resin runs into the pipe below.

## Feature

The SCFR-R100 Resin and SCFR-H100 Hardener is an exclusive product of Alloy's. Its chemical composition has been improved after many sealing tests, carried out with the cooperation of ATEX accredited testing laboratory.

## Technical Data

<b>Hazardous Area</b>	Gas	Dust
<b>Zones</b>	1 & 2	21 & 22
<b>Compliance with</b>	Equipment and protective systems intended for use in potentially explosive atmospheres, Directive 2014/34/EU	
<b>Standards</b>	EN 60079-0:2012+A11:2013, EN 60079-1:2014, EN 60079-14:2013	
<b>Ambient Temperature</b>	-20°C to +75°C	



SCFR-R100  
Resin



SCFR-H100  
Hardener



SCFR-F100  
Fiber

## Gram Required per Fitting

Fitting Cat. No.	Cavity Volume (cm³)	Sealing Compound Weight (gram)	Sealing Compound Mix Ratio (by weight) 100:13		Fiber Weight (gram)
			SCFR-R100 (Resin)	SCFR-H100 (Hardener)	
DYS 1	19.50	37.9 gram	33.5 gram	4.4 gram	1.0 gram
DYS 2	37.30	72.5 gram	64.2 gram	8.3 gram	2.0 gram
DYS 3	61.60	119.8 gram	106.0 gram	13.8 gram	3.2 gram
DYS 4	117.20	227.9 gram	201.7 gram	26.2 gram	6.1 gram
DYS 5	165.00	320.8 gram	283.9 gram	36.9 gram	8.6 gram
DYS 6	305.30	593.5 gram	525.2 gram	68.3 gram	16.0 gram
DYS 7	580.70	1128.8 gram	999.0 gram	129.8 gram	30.4 gram
DYS 8	1015.00	1973.2 gram	1746.3 gram	226.9 gram	53.2 gram
DYS 9	1903.40	3700.2 gram	3274.7 gram	425.5 gram	99.7 gram
DYS 10	1910.00	3713.0 gram	3286.0 gram	427.0 gram	100.0 gram

Fitting Cat. No.	Cavity Volume (cm³)	Sealing Compound Weight (gram)	Sealing Compound Mix Ratio (by weight) 100:13		Fiber Weight (gram)
			SCFR-R100 (Resin)	SCFR-H100 (Hardener)	
DYK 1	25.30	49.2 gram	43.5 gram	5.7 g.	2.0 gram
DYK 2	35.90	69.8 gram	61.8 gram	8.0 g.	4.0 gram
DYK 3	43.20	84.0 gram	74.3 gram	9.7 g.	6.4 gram
DYK 4	115.90	318.2 gram	281.6 gram	41.2 g.	12.2 gram
DYK 5	163.70	358.6 gram	317.4 gram	36.6 g.	17.2 gram
DYK 6	255.20	496.1 gram	439.0 gram	57.1 g.	32.0 gram
DYK 7	394.10	766.1 gram	678.0 gram	88.1 g.	60.8 gram
DYK 8	697.70	1356.4 gram	1200.4 gram	156.0 g.	106.4 gram
DYK 9	1447.80	2814.5 gram	2490.8 gram	323.7 g.	199.4 gram
DYK 10	1627.60	3164.0 gram	2800.1 gram	363.9 g.	200.0 gram

DYD 1	21.45	34.7 gram	30.7 gram	4.0 gram	1.0 gram
DYD 2	41.03	66.5 gram	58.9 gram	7.6 gram	2.0 gram
DYD 3	67.76	109.8 gram	97.2 gram	12.6 gram	3.2 gram

