

# Lighting: Compact Fluorescent Lighting Fixture, EPF Series



Flameproof and Dust protection by enclosure

Zone 1 & 2 – 22

## Specification

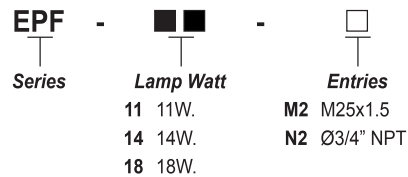
Body material : Marine grade copper-free aluminium alloy with polyester powder coated, RAL 7032 (grey)  
 Glass globe : Borosilicate glass  
 Axles and guard : Stainless steel  
 Sealant : Cast resin



## Technical Data

|                                  |  |                                  |
|----------------------------------|--|----------------------------------|
| <b>Hazardous Area</b>            | Gas  | Dust                             |
| <b>Zones</b>                     | 1 & 2  | 22                               |
| <b>Conforming to ATEX</b>        | Ex db IIB T6/T5 Gb   | Ex tc IIIB T85°C/ T100°C Dc IP54 |
| <b>Symbol of Protection ATEX</b> | Ex db IIB T6/T5 Gb   | Ex tc IIIB T85°C/ T100°C Dc IP54 |
| <b>Compliance with</b>           | Equipment and protective systems intended for use in potentially explosive atmospheres, Directive 2014/34/EU |                                  |
| <b>Standards</b>                 | EN 60079-0:2012+A11:2013, EN 60079-1:2014, EN 60079-31:2014  |                                  |
| <b>Ambient Temperature</b>       | -20°C to +55°C   |                                  |
| <b>Index of Protection</b>       | IP54   |                                  |
| <b>Entries</b>                   | M25x1.5 or Ø3/4" NPT   |                                  |
| <b>Mounting</b>                  | Ceiling mounting   |                                  |
| <b>Rated Voltage</b>             | 220V.ac ±5% 50Hz.  |                                  |

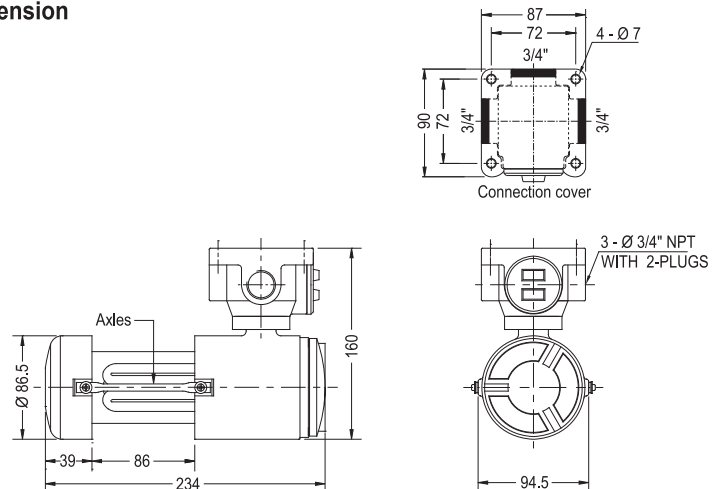
## Catalogue Number Logic



## Ordering Requirements

| Cat. No. | Lamp Watt | Voltage | Lamp Model                 | Temp. Class (for zone 1 & 2) |          | Max. Surface Temp.* (for zone 21 & 22) |          | Entries |         | Volume (dm <sup>3</sup> ) | Approx. Weight (kgs.) |
|----------|-----------|---------|----------------------------|------------------------------|----------|--|----------|---------|---------|---------------------------|-----------------------|
|          |           |         |                            | Ta 40 °C                     | Ta 55 °C | Ta 40 °C                               | Ta 55 °C | NPT     | Metric  |                           |                       |
| EPF-11-□ | 11W.      | 220V.ac | Genie 11W CDL E27 (570lm)  | T6                           | T5       | T85°C                                  | T100°C   | Ø3/4"   | M25x1.5 | 0.63                      | 2.2                   |
| EPF-14-□ | 14W.      | 50Hz.   | Genie 14W CDL E27 (760lm)  |                              |          |  |          |         |         |                           |                       |
| EPF-18-□ | 18W.      |         | Genie 18W CDL E27 (1040lm) |                              |          |  |          |         |         |                           |                       |

## Dimension



Remark \* : The maximum surface temperatures are specified for dust free condition. The dust layer which may cover around the lighting fixture will cause to higher surface temperature.