

Lighting: H.I.D. (High Intensity Discharge) Lighting Fixture, DLF1-MV, DLF1-PS, DLF1-MH Series



Flameproof/ Increased Safety and Dust protection by enclosure

Zone 1 & 2 – 21 & 22

Specification

Body material : Marine grade copper-free aluminium alloy with polyester powder coated, RAL 7032 (grey)
 Globe : Borosilicate glass
 Guard, bolts : Stainless steel
 Seal gasket : Silicone
 Bracket : Hot-dip galvanized steel



Technical Data

Hazardous Area	Gas	Dust
Zones	1 & 2	21 & 22
Conforming to ATEX	Ex II 2G	Ex II 2D
Symbol of Protection ATEX	Ex db eb IIC T** Gb	Ex tb IIIC T** °C Db IP66
ATEX Certificate	TÜV CY 18 ATEX 0206011 X	
Compliance with	Equipment and protective systems intended for use in potentially explosive atmospheres, Directive 2014/34/EU	
Standards	EN 60079-0:2012+A11:2013, EN 60079-1:2014, EN 60079-7:2015, EN 60079-31:2014	
Ambient Temperature	-20°C to +55°C	
Index of Protection	IP66	
Entries	2- M25x1.5 or 2- Ø3/4" NPT (1-stopping plug)	
Mounting	Ceiling or Bracket mounting (standard) (Optional mounting ; 2x M10 eye bolts, clamps for pipe)	
Connection	L, N and E ; for 1-4mm. ² cable (Through wiring system with an extra terminal block for cable connection at both ends.)	
Rated Voltage	220/ 230/ 240V.ac ±5% 50/60Hz.	

** See temperature class on catalogue number table.

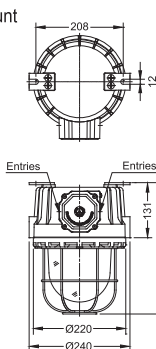
Catalogue Number Logic

DLF1	-	■ ■ ■	-	■ ■ ■	■ ■	□	□	-	□
Series		Type		Lamp Watt	Voltage	Accessories	Mounting		Entries
		MV Mercury Vapour		(see catalogue number table)	22 220V.AC. 50Hz.	R Reflector	C Ceiling		M2 M25x1.5
		PS High Pressure Sodium			23 230V.AC. 50Hz.	G Basket guard	B Bracket		N2 Ø3/4" NPT
		MH Metal halide							

Ordering Requirements and Dimension

Cat. No.	Lamp Watt	Voltage	Lamp Model (Lamp/ Ballast/ Ignitor)	Temp. Class (for zone 1 & 2)		Max. Surface Temp.* (for zone 21 & 22)		Wiring Diagram
				Ta 40 °C	Ta 55 °C	Ta 40 °C	Ta 55 °C	
Mercury Vapor Lamp								
DLF1-MV-08022	□□-□ 80W.	220V.ac 50Hz.	HPL-N 80W / Q80.587 / -	T5	T4	T100°C	T135°C	Dia-B
			HPL-N 80W / OMB80-35 / -	T5	T5	T100°C	T100°C	Dia-B
DLF1-MV-12522	□□-□ 125W.	230V.ac 50Hz.	HPL-N 125W / Q125.549 / -	T5	T4	T100°C	T135°C	Dia-B
DLF1-MV-08023	□□-□ 80W.		HPL-N 80W / Q80.588 / -	T5	T5	T100°C	T100°C	Dia-B
DLF1-MV-12523	□□-□ 125W.		HPL-N 125W / Q125.568 / -	T4	T4	T135°C	T135°C	Dia-B
High Pressure Sodium Lamp								
DLF1-PS-070I22	□□-□ 70W.	220V.ac 50Hz.	SON-70WI / NaHJ70.320 / -	T5	T5	T100°C	T100°C	Dia-B
DLF1-PS-070I23	□□-□	230V.ac 50Hz.	SON-70WI / NaHJ70.158 / -	T5	T4	T100°C	T135°C	Dia-B
DLF1-PS-07023	□□-□		SON-70W / NaHJ70.158 / Z400M	T5	T4	T100°C	T135°C	Dia-A
Metal Halide Lamp								
DLF1-MH-07022	□□-□ 70W.	220V.ac 50Hz.	MH 70W / NaHJ70.320 / Z400M	T5	T4	T100°C	T135°C	Dia-A
			MH 70W / OMS 70-T35 / Z400M	T5	T5	T100°C	T100°C	Dia-A
DLF1-MH-10022	□□-□ 100W.	230V.ac 50Hz.	MH 100W / OMS 100 / Z400M	T5	T4	T100°C	T135°C	Dia-A
DLF1-MH-07023	□□-□ 70W.		MH 70W / NaHJ70.128 / Z400M	T5	T4	T100°C	T135°C	Dia-A

Ceiling mount



Bracket mount

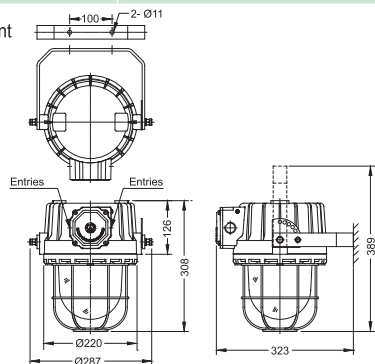


Diagram-A

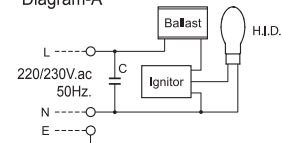
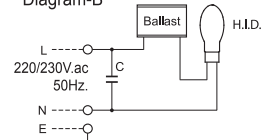


Diagram-B



Remark * : The maximum surface temperatures are specified for dust free condition. The dust layer which may cover around the lighting fixture will cause to higher surface temperature.