

Control Station and Control Panel: Control Station (Rectangular Shape), EPB/ EPL/ EPBL/ ESL/ EKS/ EEM series



Flameproof and Dust protection by enclosure
Zone 1 & 2 – 22

Application

The control stations are suitable for use in conjunction with magnetic contactors and relays for remote control of motors, also indicating the electrical function performed. They are suitable for zone 1, 2 and 22 areas.

Specification

Body, cover : Marine grade copper-free aluminium alloy with polyester powder coated, RAL 7032 (Grey)
Sealing gasket : Silicone
Lid screw : Stainless steel

Technical Data

Hazardous Area	Gas	Dust
Zones	1 & 2	22
Conforming to ATEX	Ex II 2G	Ex II 3D
Symbol of Protection ATEX	Ex db IIB T6/T5 Gb	Ex tc IIB T80°C/ T95°C Dc IP54
Compliance with	Equipment and protective systems intended for use in potentially explosive atmospheres, Directive 2014/34/EU	
Standards	EN 60079-0:2012+A11:2013, EN 60079-1:2014, EN 60079-31:2014	
Ambient Temperature	-20°C to +55°C	
Index of Protection	IP54	
Entries	Ø1/2" or Ø3/4" NPT	
Mounting	Wall mount	

Catalogue Number Logic

EPB series



Page D14/45

EPB	■	-	■	-	■ N ■
Series	Gang	Contact per unit (Momentary)	Dead-end/ Top	Dead-end/ Bottom	Through-feed
1 Single gang	2 Two gangs	A 1NO B 1NC	TN1 Ø1/2" NPT	BN1 Ø1/2" NPT	CN1 Ø1/2" NPT
3 Three gangs	C 1NO-1NC	D 2NO	TN2 Ø3/4" NPT	BN2 Ø3/4" NPT	CN2 Ø3/4" NPT
	E 2NC				

EPL series



Page D16/45

EPL	■	-	□ □	□	-	■ N ■
Series	Gang	Voltage	Lens colour	Dead-end/ Top	Dead-end/ Bottom	Through-feed
1 Single gang	2 Two gangs	2D 24V.dc	G Green	TN1 Ø1/2" NPT	BN1 Ø1/2" NPT	CN1 Ø1/2" NPT
3 Three gangs	C 1NO-1NC	12 120V.ac	R Red	TN2 Ø3/4" NPT	BN2 Ø3/4" NPT	CN2 Ø3/4" NPT
	E 2NC	22 220-230V.ac	Y Yellow			
			B Blue			
			C Clear			

EPBL series



Page D18/45

EPBL	■	-	□	□ □	□	-	■ N ■
Series	Gang	Contact	Voltage	Lens colour	Dead-end/ Top	Dead-end/ Bottom	Through-feed
1 Single gang	2 Two gangs	A 1NO	2D 24V.dc	G Green	TN1 Ø1/2" NPT	BN1 Ø1/2" NPT	CN1 Ø1/2" NPT
		B 1NC	12 120V.ac	R Red	TN2 Ø3/4" NPT	BN2 Ø3/4" NPT	CN2 Ø3/4" NPT
		C 1NO-1NC	22 220-230V.ac	Y Yellow			
		D 2NO		B Blue			
		E 2NC		C Clear			

EEM series



Page D19/45

EEM	■	-	□	□	-	■ N ■
Series	Gang	Contact	Function	Dead-end/ Top	Dead-end/ Bottom	Through-feed
1 Single gang	B 1NC	P Push-pull		TN1 Ø1/2" NPT	BN1 Ø1/2" NPT	CN1 Ø1/2" NPT
	C 1NO-1NC	L Push-lock Turn to release		TN2 Ø3/4" NPT	BN2 Ø3/4" NPT	CN2 Ø3/4" NPT
	E 2NC	K Push-lock Key to release				

ESL/ EKS series



Page D20,21/45

E ■ ■	■	-	□	□	□	-	■ N ■
Series	Gang	Position	Contact	Function	Dead-end/ Top	Dead-end/ Bottom	Through-feed
ESL Selector Switch	1 Single gang	2 2-positions	A 1NO	- Stay put	TN1 Ø1/2" NPT	BN1 Ø1/2" NPT	CN1 Ø1/2" NPT
EKS Key Selector Switch		3 3-positions	B 1NC	S Spring return	TN2 Ø3/4" NPT	BN2 Ø3/4" NPT	CN2 Ø3/4" NPT
			C 1NO-1NC				
			D 2NO				
			F 4NO				

Control Station and Control Panel: Push Button, EPB series



Flameproof and Dust protection by enclosure

Zone 1 & 2 – 22

Ordering Requirements

Single gang, 1PB (without wiring)

		PB Push button, 1NO (momentary)		
		Cat. No.		
		Dead-end/ Top	Dead-end/ Bottom	Through-feed
Entries	Ø1/2" NPT	EPB1-A-TN1	EPB1-A-BN1	EPB1-A-CN1
	Ø3/4" NPT	EPB1-A-TN2	EPB1-A-BN2	EPB1-A-CN2
Nameplate marking	START or ON or Specify			
Volume (dm ³)	0.32			
Approx. weight (kgs.)	1.95			

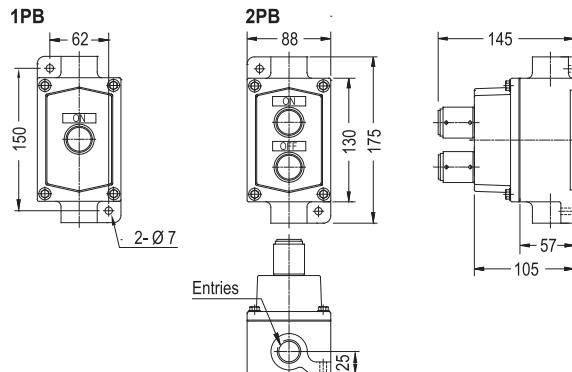
		PB Push button, 1NC (momentary)		
		Cat. No.		
		Dead-end/ Top	Dead-end/ Bottom	Through-feed
Entries	Ø1/2" NPT	EPB1-B-TN1	EPB1-B-BN1	EPB1-B-CN1
	Ø3/4" NPT	EPB1-B-TN2	EPB1-B-BN2	EPB1-B-CN2
Nameplate marking	STOP or OFF or Specify			
Volume (dm ³)	0.32			
Approx. weight (kgs.)	1.95			

		PB Push button, 1NO-1NC (momentary)		
		Cat. No.		
		Dead-end/ Top	Dead-end/ Bottom	Through-feed
Entries	Ø1/2" NPT	EPB1-C-TN1	EPB1-C-BN1	EPB1-C-CN1
	Ø3/4" NPT	EPB1-C-TN2	EPB1-C-BN2	EPB1-C-CN2
Nameplate marking	Specify			
Volume (dm ³)	0.32			
Approx. weight (kgs.)	1.95			

		PB Push button, 2NO (momentary)		
		Cat. No.		
		Dead-end/ Top	Dead-end/ Bottom	Through-feed
Entries	Ø1/2" NPT	EPB1-D-TN1	EPB1-D-BN1	EPB1-D-CN1
	Ø3/4" NPT	EPB1-D-TN2	EPB1-D-BN2	EPB1-D-CN2
Nameplate marking	START or ON or Specify			
Volume (dm ³)	0.32			
Approx. weight (kgs.)	1.95			

		PB Push button, 2NC (momentary)		
		Cat. No.		
		Dead-end/ Top	Dead-end/ Bottom	Through-feed
Entries	Ø1/2" NPT	EPB1-E-TN1	EPB1-E-BN1	EPB1-E-CN1
	Ø3/4" NPT	EPB1-E-TN2	EPB1-E-BN2	EPB1-E-CN2
Nameplate marking	STOP or OFF or Specify			
Volume (dm ³)	0.32			
Approx. weight (kgs.)	1.95			

Dimension



Ordering Requirements

Single gang, 2PB (without wiring)

		PB1 Push button, 1NO (momentary)		
		Cat. No.		
		PB2 Push button, 1NC (momentary)		
		Cat. No.		
		Dead-end/ Top	Dead-end/ Bottom	Through-feed
Entries	Ø1/2" NPT	EPB1-AB-TN1	EPB1-AB-BN1	EPB1-AB-CN1
	Ø3/4" NPT	EPB1-AB-TN2	EPB1-AB-BN2	EPB1-AB-CN2
Nameplate marking	START, STOP or ON, OFF or Specify			
Volume (dm ³)	0.32			
Approx. weight (kgs.)	1.95			

		PB1 Push button, 1NO-1NC (momentary)		
		Cat. No.		
		PB2 Push button, 1NO-1NC (momentary)		
		Cat. No.		
		Dead-end/ Top	Dead-end/ Bottom	Through-feed
Entries	Ø1/2" NPT	EPB1-CC-TN1	EPB1-CC-BN1	EPB1-CC-CN1
	Ø3/4" NPT	EPB1-CC-TN2	EPB1-CC-BN2	EPB1-CC-CN2
Nameplate marking	START, STOP or ON, OFF or Specify			
Volume (dm ³)	0.32			
Approx. weight (kgs.)	1.95			

		PB1 Push button, 1NO (momentary)		
		Cat. No.		
		PB2 Push button, 1NO (momentary)		
		Cat. No.		
		Dead-end/ Top	Dead-end/ Bottom	Through-feed
Entries	Ø1/2" NPT	EPB1-AA-TN1	EPB1-AA-BN1	EPB1-AA-CN1
	Ø3/4" NPT	EPB1-AA-TN2	EPB1-AA-BN2	EPB1-AA-CN2
Nameplate marking	UP, DOWN or Specify			
Volume (dm ³)	0.32			
Approx. weight (kgs.)	1.95			

		PB1 Push button, 2NO (momentary)		
		Cat. No.		
		PB2 Push button, 2NO (momentary)		
		Cat. No.		
		Dead-end/ Top	Dead-end/ Bottom	Through-feed
Entries	Ø1/2" NPT	EPB1-DD-TN1	EPB1-DD-BN1	EPB1-DD-CN1
	Ø3/4" NPT	EPB1-DD-TN2	EPB1-DD-BN2	EPB1-DD-CN2
Nameplate marking	UP, DOWN or Specify			
Volume (dm ³)	0.32			
Approx. weight (kgs.)	1.95			

Control Station and Control Panel: Push Button, EPB series



Flameproof and Dust protection by enclosure

Zone 1 & 2 – 22

Ordering Requirements

Single gang, 3PB (without wiring)

		PB1 Push button, 1NO (momentary) PB2 Push button, 1NO (momentary) PB3 Push button, 1NC (momentary)	Cat. No.		
			Dead-end/ Top	Dead-end/ Bottom	Through-feed
Entries	Ø1/2" NPT	EPB1-AAB-TN1	EPB1-AAB-BN1	EPB1-AAB-CN1	
	Ø3/4" NPT	EPB1-AAB-TN2	EPB1-AAB-BN2	EPB1-AAB-CN2	
Nameplate marking	UP, DOWN, STOP or Specify				
Volume (dm ³)	1.18				
Approx. weight (kgs.)	1.98				

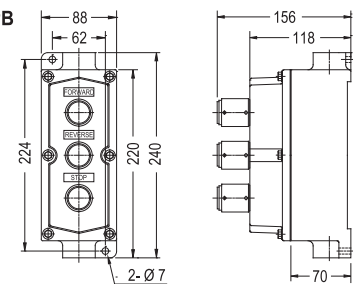
		PB1 Push button, 1NO-1NC (momentary) PB2 Push button, 1NO-1NC (momentary) PB3 Push button, 1NO-1NC (momentary)	Cat. No.		
			Dead-end/ Top	Dead-end/ Bottom	Through-feed
Entries	Ø1/2" NPT	EPB1-CCC-TN1	EPB1-CCC-BN1	EPB1-CCC-CN1	
	Ø3/4" NPT	EPB1-CCC-TN2	EPB1-CCC-BN2	EPB1-CCC-CN2	
Nameplate marking	FORWARD, REVERSE, STOP or Specify				
Volume (dm ³)	1.18				
Approx. weight (kgs.)	1.98				

Two gangs, 4PB (without wiring)

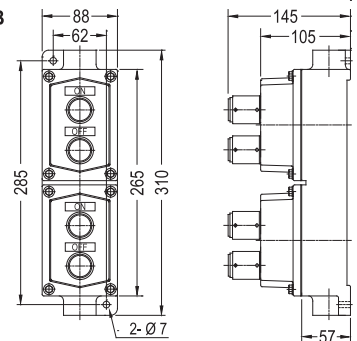
		PB1 Push button, 1NO-1NC (momentary) PB2 Push button, 1NO-1NC (momentary) PB3 Push button, 1NO-1NC (momentary) PB4 Push button, 1NO-1NC (momentary)	Cat. No.		
			Dead-end/ Top	Dead-end/ Bottom	Through-feed
Entries	Ø3/4" NPT	EPB2-CCCC-TN2	EPB2-CCCC-BN2	EPB2-CCCC-CN2	
	Ø1" NPT	EPB2-CCCC-TN3	EPB2-CCCC-BN3	EPB2-CCCC-CN3	
Nameplate marking	START, STOP or ON, OFF or Specify				
Volume (dm ³)	0.64				
Approx. weight (kgs.)	3.33				

Dimension

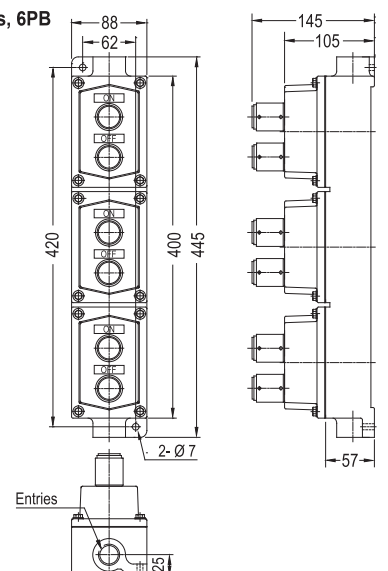
Single gang, 3PB



Two gangs, 4PB



Three gangs, 6PB



Ordering Requirements

Three gangs, 6PB (without wiring)

		PB1 Push button, 1NO-1NC (momentary) PB2 Push button, 1NO-1NC (momentary) PB3 Push button, 1NO-1NC (momentary) PB4 Push button, 1NO-1NC (momentary) PB5 Push button, 1NO-1NC (momentary) PB6 Push button, 1NO-1NC (momentary)	Cat. No.		
			Dead-end/ Top	Dead-end/ Bottom	Through-feed
Entries	Ø3/4" NPT	EPB3-CCCCC-TN2	EPB3-CCCCC-BN2	EPB3-CCCCC-CN2	
	Ø1" NPT	EPB3-CCCCC-TN3	EPB3-CCCCC-BN3	EPB3-CCCCC-CN3	
Nameplate marking	START, STOP or ON, OFF or Specify				
Volume (dm ³)	0.96				
Approx. weight (kgs.)	4.93				

Control Station and Control Panel: Pilot Light, EPL series



Flameproof and Dust protection by enclosure

Zone 1 & 2 – 22

Ordering Requirements

Single gang, 1PL (without wiring)

		PL Pilot Light, 220-230V.ac (Green)		
		Dead-end/ Top	Dead-end/ Bottom	Through-feed
Entries	Ø1/2" NPT	EPL1-22G-TN1	EPL1-22G-BN1	EPL1-22G-CN1
	Ø3/4" NPT	EPL1-22G-TN2	EPL1-22G-BN2	EPL1-22G-CN2
Nameplate marking		RUN or ON or Specify		
Volume (dm ³)		0.32		
Approx. weight (kgs.)		1.65		

		PL Pilot Light, 220-230V.ac (Red)		
		Dead-end/ Top	Dead-end/ Bottom	Through-feed
Entries	Ø1/2" NPT	EPL1-22R-TN1	EPL1-22R-BN1	EPL1-22R-CN1
	Ø3/4" NPT	EPL1-22R-TN2	EPL1-22R-BN2	EPL1-22R-CN2
Nameplate marking		STOP or OFF or Specify		
Volume (dm ³)		0.32		
Approx. weight (kgs.)		1.65		

		PL Pilot Light, 220-230V.ac (Clear)		
		Dead-end/ Top	Dead-end/ Bottom	Through-feed
Entries	Ø1/2" NPT	EPL1-22C-TN1	EPL1-22C-BN1	EPL1-22C-CN1
	Ø3/4" NPT	EPL1-22C-TN2	EPL1-22C-BN2	EPL1-22C-CN2
Nameplate marking		POWER or Specify		
Volume (dm ³)		0.32		
Approx. weight (kgs.)		1.65		

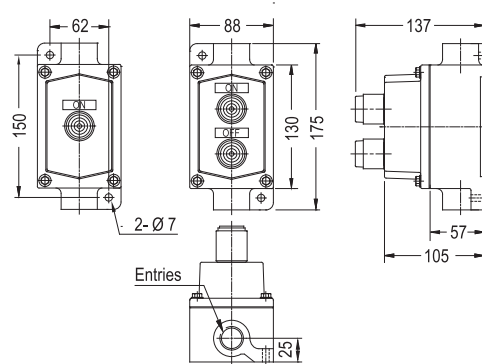
		PL Pilot Light, 220-230V.ac (Yellow)		
		Dead-end/ Top	Dead-end/ Bottom	Through-feed
Entries	Ø1/2" NPT	EPL1-22Y-TN1	EPL1-22Y-BN1	EPL1-22Y-CN1
	Ø3/4" NPT	EPL1-22Y-TN2	EPL1-22Y-BN2	EPL1-22Y-CN2
Nameplate marking		FAULT or Specify		
Volume (dm ³)		0.32		
Approx. weight (kgs.)		1.65		

Single gang, 2PL (without wiring)

		PL1 Pilot Light, 220-230V.ac (Green) PL2 Pilot Light, 220-230V.ac (Red)		
		Dead-end/ Top	Dead-end/ Bottom	Through-feed
Entries	Ø1/2" NPT	EPL1-22GR-TN1	EPL1-22GR-BN1	EPL1-22GR-CN1
	Ø3/4" NPT	EPL1-22GR-TN2	EPL1-22GR-BN2	EPL1-22GR-CN2
Nameplate marking		RUN, STOP or ON, OFF or Specify		
Volume (dm ³)		0.32		
Approx. weight (kgs.)		1.69		

Dimension

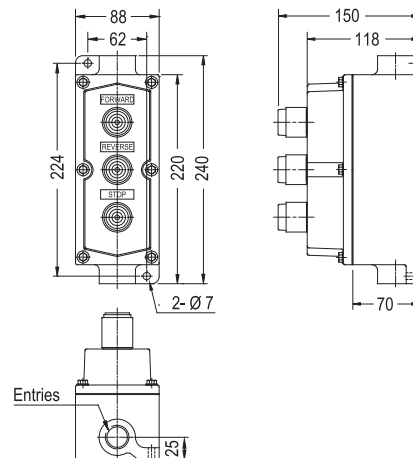
Single gang, 1PL Single gang, 2PL



Single gang, 3PL (without wiring)

		PL1 Pilot Light, 220-230V.ac (Yellow) PL2 Pilot Light, 220-230V.ac (Green) PL3 Pilot Light, 220-230V.ac (Red)		
		Dead-end/ Top	Dead-end/ Bottom	Through-feed
Entries	Ø1/2" NPT	EPL1-22YGR-TN1	EPL1-22YGR-BN1	EPL1-22YGR-CN1
	Ø3/4" NPT	EPL1-22YGR-TN2	EPL1-22YGR-BN2	EPL1-22YGR-CN2
Nameplate marking		TRIP, RUN, STOP or Specify		
Volume (dm ³)		1.18		
Approx. weight (kgs.)		2.95		

Single gang, 3PL



Control Station and Control Panel: Pilot Light, EPL series



Flameproof and Dust protection by enclosure

Zone 1 & 2 – 22

Ordering Requirements

Two gangs, 2PL (without wiring)

		PL1 Pilot Light, 220-230V.ac (Green)		
		PL2 Pilot Light, 220-230V.ac (Green)		
		Cat. No.		
		Dead-end/ Top	Dead-end/ Bottom	Through-feed
Entries	Ø1/2" NPT	EPL2-22GG-TN1	EPL2-22GG-BN1	EPL2-22GG-CN1
	Ø3/4" NPT	EPL2-22GG-TN2	EPL2-22GG-BN2	EPL2-22GG-CN2
Nameplate marking		RUN, RUN or Specify		
Volume (dm ³)		0.64		
Approx. weight (kgs.)		3.19		

Two gangs, 4PL (without wiring)

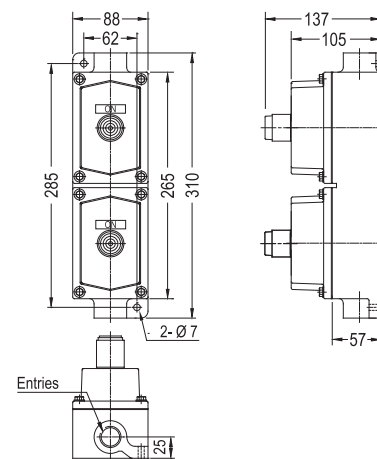
		PL1 Pilot Light, 220-230V.ac (Green)		
		PL2 Pilot Light, 220-230V.ac (Red)		
		PL3 Pilot Light, 220-230V.ac (Green)		
		PL4 Pilot Light, 220-230V.ac (Red)		
		Cat. No.		
		Dead-end/ Top	Dead-end/ Bottom	Through-feed
Entries	Ø3/4" NPT	EPL2-22GRGR-TN2	EPL2-22GRGR-BN2	EPL2-22GRGR-CN2
	Ø1" NPT	EPL2-22GRGR-TN3	EPL2-22GRGR-BN3	EPL2-22GRGR-CN3
Nameplate marking		RUN, STOP, RUN, STOP or Specify		
Volume (dm ³)		0.64		
Approx. weight (kgs.)		3.19		

Three gangs, 6PL (without wiring)

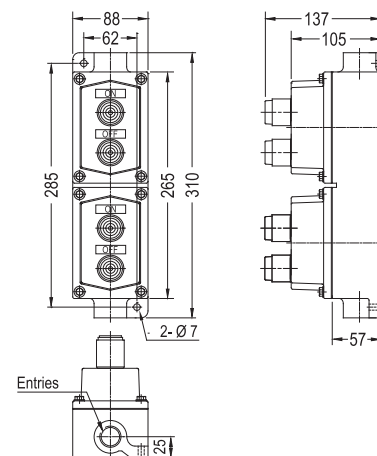
		PL1 Pilot Light, 220-230V.ac (Green)		
		PL2 Pilot Light, 220-230V.ac (Red)		
		PL3 Pilot Light, 220-230V.ac (Green)		
		PL4 Pilot Light, 220-230V.ac (Red)		
		PL5 Pilot Light, 220-230V.ac (Green)		
		PL6 Pilot Light, 220-230V.ac (Red)		
		Cat. No.		
		Dead-end/ Top	Dead-end/ Bottom	Through-feed
Entries	Ø3/4" NPT	EPL3-22GRGRGR-TN2	EPL3-22GRGRGR-BN2	EPL3-22GRGRGR-CN2
	Ø1" NPT	EPL3-22GRGRGR-TN3	EPL3-22GRGRGR-BN3	EPL3-22GRGRGR-CN3
Nameplate marking		RUN, STOP, RUN, STOP or Specify		
Volume (dm ³)		0.96		
Approx. weight (kgs.)		3.33		

Dimension

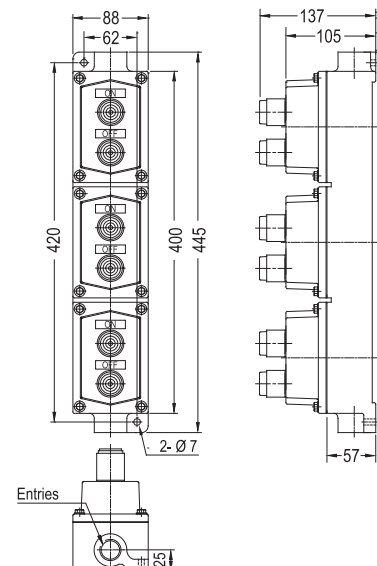
Two gangs, 2PL



Two gangs, 4PL



Three gangs, 6PL



Control Station and Control Panel: Push Button & Pilot Light, EPBL series



Flameproof and Dust protection by enclosure

Zone 1 & 2 – 22

Ordering Requirements

Single gang, 1PL+1PB (without wiring)

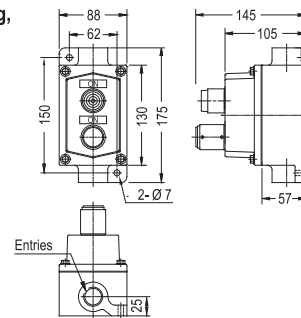
		Cat. No.		
		Dead-end/ Top	Dead-end/ Bottom	Through-feed
Entries	Ø1/2" NPT	EPBL1-A22G-TN1	EPBL1-A22G-BN1	EPBL1-A22G-CN1
	Ø3/4" NPT	EPBL1-A22G-TN2	EPBL1-A22G-BN2	EPBL1-A22G-CN2
Nameplate marking	RUN, START or ON, ON or Specify			
Volume (dm ³)	0.32			
Approx. weight (kgs.)	2.35			

		Cat. No.		
		Dead-end/ Top	Dead-end/ Bottom	Through-feed
Entries	Ø1/2" NPT	EPBL1-B22G-TN1	EPBL1-B22G-BN1	EPBL1-B22G-CN1
	Ø3/4" NPT	EPBL1-B22G-TN2	EPBL1-B22G-BN2	EPBL1-B22G-CN2
Nameplate marking	STOP, STOP or OFF, OFF or Specify			
Volume (dm ³)	0.32			
Approx. weight (kgs.)	2.35			

		Cat. No.		
		Dead-end/ Top	Dead-end/ Bottom	Through-feed
Entries	Ø1/2" NPT	EPBL1-C22G-TN1	EPBL1-C22G-BN1	EPBL1-C22G-CN1
	Ø3/4" NPT	EPBL1-C22G-TN2	EPBL1-C22G-BN2	EPBL1-C22G-CN2
Nameplate marking	RUN, START or ON, ON or Specify			
Volume (dm ³)	0.32			
Approx. weight (kgs.)	2.35			

Dimension

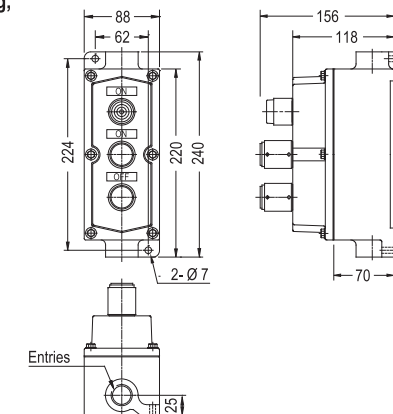
Single gang,
1PL+1PB



Single gang, 1PL+2PB (without wiring)

		Cat. No.		
		Dead-end/ Top	Dead-end/ Bottom	Through-feed
Entries	Ø1/2" NPT	EPBL1-AB22G-TN1	EPBL1-AB22G-BN1	EPBL1-AB22G-CN1
	Ø3/4" NPT	EPBL1-AB22G-TN2	EPBL1-AB22G-BN2	EPBL1-AB22G-CN2
Nameplate marking	RUN, START, STOP or ON, ON, OFF or Specify			
Volume (dm ³)	1.18			
Approx. weight (kgs.)	2.35			

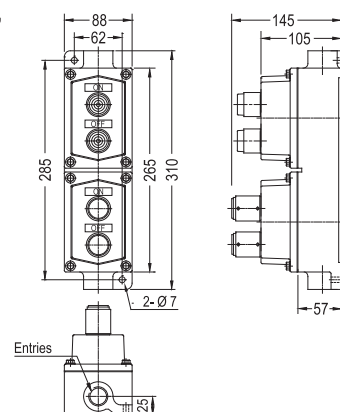
Single gang,
1PL+2PB



Two gangs, 2PL+2PB (without wiring)

		Cat. No.		
		Dead-end/ Top	Dead-end/ Bottom	Through-feed
Entries	Ø1/2" NPT	EPBL2-AB22GR-TN1	EPBL2-AB22GR-BN1	EPBL2-AB22GR-CN1
	Ø3/4" NPT	EPBL2-AB22GR-TN2	EPBL2-AB22GR-BN2	EPBL2-AB22GR-CN2
Nameplate marking	RUN, STOP, START, STOP or ON, OFF, ON, OFF or Specify			
Volume (dm ³)	1.18			
Approx. weight (kgs.)	2.35			

Two gangs,
1PL+2PB



Control Station and Control Panel: Emergency Push Button (Red), EEM series

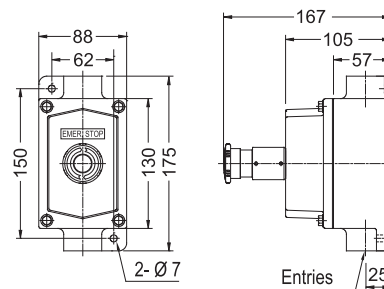


Flameproof and Dust protection by enclosure
Zone 1 & 2 – 22

Ordering Requirements

		Mushroom-Head Push button, 1NC (push-pull)		
		Cat. No.		
	Dead-end/ Top	Dead-end/ Bottom	Through-feed	
Entries	Ø1/2" NPT	EEM1-BP-TN1	EEM1-BP-BN1	EEM1-BP-CN1
	Ø3/4" NPT	EEM1-BP-TN2	EEM1-BP-BN2	EEM1-BP-CN2
Nameplate marking	EMERGENCY STOP			
Volume (dm ³)	0.32			
Approx. weight (kgs.)	1.75			
		Mushroom-Head Push button, 1NO-1NC (push-pull)		
		Cat. No.		
	Dead-end/ Top	Dead-end/ Bottom	Through-feed	
Entries	Ø1/2" NPT	EEM1-CP-TN1	EEM1-CP-BN1	EEM1-CP-CN1
	Ø3/4" NPT	EEM1-CP-TN2	EEM1-CP-BN2	EEM1-CP-CN2
Nameplate marking	EMERGENCY STOP			
Volume (dm ³)	0.32			
Approx. weight (kgs.)	1.75			
		Mushroom-Head Push button, 2NC (push-pull)		
		Cat. No.		
	Dead-end/ Top	Dead-end/ Bottom	Through-feed	
Entries	Ø1/2" NPT	EEM1-EP-TN1	EEM1-EP-BN1	EEM1-EP-CN1
	Ø3/4" NPT	EEM1-EP-TN2	EEM1-EP-BN2	EEM1-EP-CN2
Nameplate marking	EMERGENCY STOP			
Volume (dm ³)	0.32			
Approx. weight (kgs.)	1.75			
		Mushroom-Head Push button, 1NC (push-lock Turn to release)		
		Cat. No.		
	Dead-end/ Top	Dead-end/ Bottom	Through-feed	
Entries	Ø1/2" NPT	EEM1-BL-TN1	EEM1-BL-BN1	EEM1-BL-CN1
	Ø3/4" NPT	EEM1-BL-TN2	EEM1-BL-BN2	EEM1-BL-CN2
Nameplate marking	EMERGENCY STOP			
Volume (dm ³)	0.32			
Approx. weight (kgs.)	1.75			
		Mushroom-Head Push button, 1NO-1NC (push-lock Turn to release)		
		Cat. No.		
	Dead-end/ Top	Dead-end/ Bottom	Through-feed	
Entries	Ø1/2" NPT	EEM1-CL-TN1	EEM1-CL-BN1	EEM1-CL-CN1
	Ø3/4" NPT	EEM1-CL-TN2	EEM1-CL-BN2	EEM1-CL-CN2
Nameplate marking	EMERGENCY STOP			
Volume (dm ³)	0.32			
Approx. weight (kgs.)	1.75			
		Mushroom-Head Push button, 2NC (push-lock Turn to release)		
		Cat. No.		
	Dead-end/ Top	Dead-end/ Bottom	Through-feed	
Entries	Ø1/2" NPT	EEM1-EL-TN1	EEM1-EL-BN1	EEM1-EL-CN1
	Ø3/4" NPT	EEM1-EL-TN2	EEM1-EL-BN2	EEM1-EL-CN2
Nameplate marking	EMERGENCY STOP			
Volume (dm ³)	0.32			
Approx. weight (kgs.)	1.75			
		Mushroom-Head Push button, 1NC (push-lock Key to release)		
		Cat. No.		
	Dead-end/ Top	Dead-end/ Bottom	Through-feed	
Entries	Ø1/2" NPT	EEM1-BK-TN1	EEM1-BK-BN1	EEM1-BK-CN1
	Ø3/4" NPT	EEM1-BK-TN2	EEM1-BK-BN2	EEM1-BK-CN2
Nameplate marking	EMERGENCY STOP			
Volume (dm ³)	0.32			
Approx. weight (kgs.)	1.75			
		Mushroom-Head Push button, 1NO-1NC (push-lock Key to release)		
		Cat. No.		
	Dead-end/ Top	Dead-end/ Bottom	Through-feed	
Entries	Ø1/2" NPT	EEM1-CK-TN1	EEM1-CK-BN1	EEM1-CK-CN1
	Ø3/4" NPT	EEM1-CK-TN2	EEM1-CK-BN2	EEM1-CK-CN2
Nameplate marking	EMERGENCY STOP			
Volume (dm ³)	0.32			
Approx. weight (kgs.)	1.75			
		Mushroom-Head Push button, 2NC (push-lock Key to release)		
		Cat. No.		
	Dead-end/ Top	Dead-end/ Bottom	Through-feed	
Entries	Ø1/2" NPT	EEM1-EK-TN1	EEM1-EK-BN1	EEM1-EK-CN1
	Ø3/4" NPT	EEM1-EK-TN2	EEM1-EK-BN2	EEM1-EK-CN2
Nameplate marking	EMERGENCY STOP			
Volume (dm ³)	0.32			
Approx. weight (kgs.)	1.75			

Dimension



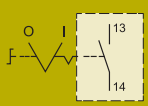

Control Station and Control Panel: Selector Switch, ESL series

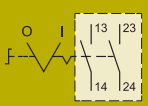



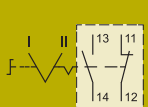

Flameproof and Dust protection by enclosure

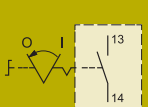

Zone 1 & 2 – 22



Ordering Requirements

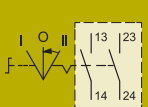

		Selector Switch, 2-Positions 1NO (Stay put)		
		Cat. No.		
	Dead-end/ Top	Dead-end/ Bottom	Through-feed	
Entries	Ø1/2" NPT	ESL1-2A-TN1	ESL1-2A-BN1	ESL1-2A-CN1
	Ø3/4" NPT	ESL1-2A-TN2	ESL1-2A-BN2	ESL1-2A-CN2
Nameplate marking	OFF-ON			
Volume (dm ³)	0.32			
Approx. weight (kgs.)	1.75			



		Selector Switch, 2-Positions 2NO (Stay put)		
		Cat. No.		
	Dead-end/ Top	Dead-end/ Bottom	Through-feed	
Entries	Ø1/2" NPT	ESL1-2D-TN1	ESL1-2D-BN1	ESL1-2D-CN1
	Ø3/4" NPT	ESL1-2D-TN2	ESL1-2D-BN2	ESL1-2D-CN2
Nameplate marking	OFF-ON			
Volume (dm ³)	0.32			
Approx. weight (kgs.)	1.75			



		Selector Switch, 2-Positions 1NO-1NC (Stay put)		
		Cat. No.		
	Dead-end/ Top	Dead-end/ Bottom	Through-feed	
Entries	Ø1/2" NPT	ESL1-2C-TN1	ESL1-2C-BN1	ESL1-2C-CN1
	Ø3/4" NPT	ESL1-2C-TN2	ESL1-2C-BN2	ESL1-2C-CN2
Nameplate marking	MAN-AUTO			
Volume (dm ³)	0.32			
Approx. weight (kgs.)	1.75			

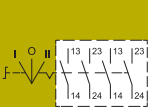

		Selector Switch, 2-Positions 1NO (Spring return from Right)		
		Cat. No.		
	Dead-end/ Top	Dead-end/ Bottom	Through-feed	
Entries	Ø1/2" NPT	ESL1-2AS-TN1	ESL1-2AS-BN1	ESL1-2AS-CN1
	Ø3/4" NPT	ESL1-2AS-TN2	ESL1-2AS-BN2	ESL1-2AS-CN2
Nameplate marking	OFF-ON			
Volume (dm ³)	0.32			
Approx. weight (kgs.)	1.75			

		Selector Switch, 2-Positions 2NO (Spring return from Right)		
		Cat. No.		
	Dead-end/ Top	Dead-end/ Bottom	Through-feed	
Entries	Ø1/2" NPT	ESL1-2DS-TN1	ESL1-2DS-BN1	ESL1-2DS-CN1
	Ø3/4" NPT	ESL1-2DS-TN2	ESL1-2DS-BN2	ESL1-2DS-CN2
Nameplate marking	OFF-ON			
Volume (dm ³)	0.32			
Approx. weight (kgs.)	1.75			

		Selector Switch, 3-Positions 2NO (Spring return from Right)		
		Cat. No.		
	Dead-end/ Top	Dead-end/ Bottom	Through-feed	
Entries	Ø1/2" NPT	ESL1-3DS-TN1	ESL1-3DS-BN1	ESL1-3DS-CN1
	Ø3/4" NPT	ESL1-3DS-TN2	ESL1-3DS-BN2	ESL1-3DS-CN2
Nameplate marking	MAN-OFF-AUTO			
Volume (dm ³)	0.32			
Approx. weight (kgs.)	1.75			

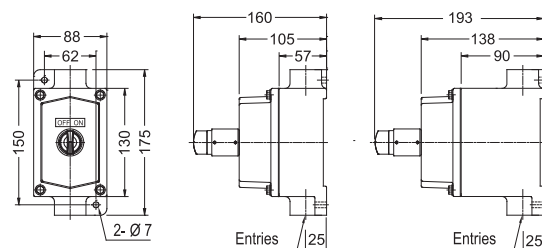
		Selector Switch, 3-Positions 2NO (Stay put)		
		Cat. No.		
	Dead-end/ Top	Dead-end/ Bottom	Through-feed	
Entries	Ø1/2" NPT	ESL1-3D-TN1	ESL1-3D-BN1	ESL1-3D-CN1
	Ø3/4" NPT	ESL1-3D-TN2	ESL1-3D-BN2	ESL1-3D-CN2
Nameplate marking	MAN-OFF-AUTO			
Volume (dm ³)	0.32			
Approx. weight (kgs.)	1.75			

		Selector Switch, 3-Positions 1NO-1NC (Spring return from Right)		
		Cat. No.		
	Dead-end/ Top	Dead-end/ Bottom	Through-feed	
Entries	Ø1/2" NPT	ESL1-3CS-TN1	ESL1-3CS-BN1	ESL1-3CS-CN1
	Ø3/4" NPT	ESL1-3CS-TN2	ESL1-3CS-BN2	ESL1-3CS-CN2
Nameplate marking	OFF-OPER-ON			
Volume (dm ³)	0.32			
Approx. weight (kgs.)	1.75			

		Selector Switch, 3-Positions 4NO (Stay put) *1		
		Cat. No.		
	Dead-end/ Top	Dead-end/ Bottom	Through-feed	
Entries	Ø1/2" NPT	ESL1-3F-TN1	ESL1-3F-BN1	ESL1-3F-CN1
	Ø3/4" NPT	ESL1-3F-TN2	ESL1-3F-BN2	ESL1-3F-CN2
Nameplate marking	MAN-OFF-AUTO			
Volume (dm ³)	0.32			
Approx. weight (kgs.)	1.75			

Dimension

*1 4NO contact uses the height below.



Control Station and Control Panel: Key Selector Switch, EKS series



Flameproof and Dust protection by enclosure
Zone 1 & 2 – 22

Ordering Requirements

		Key Selector Switch, 2-Positions 1NO (Stay put)		
		Cat. No.		
	Dead-end/ Top	Dead-end/ Bottom	Through-feed	
Entries	Ø1/2" NPT	EKS1-2A-TN1	EKS1-2A-BN1	EKS1-2A-CN1
	Ø3/4" NPT	EKS1-2A-TN2	EKS1-2A-BN2	EKS1-2A-CN2
Nameplate marking	OFF-ON			
Volume (dm ³)	0.32			
Approx. weight (kgs.)	1.75			

		Key Selector Switch, 2-Positions 2NO (Stay put)		
		Cat. No.		
	Dead-end/ Top	Dead-end/ Bottom	Through-feed	
Entries	Ø1/2" NPT	EKS1-2D-TN1	EKS1-2D-BN1	EKS1-2D-CN1
	Ø3/4" NPT	EKS1-2D-TN2	EKS1-2D-BN2	EKS1-2D-CN2
Nameplate marking	OFF-ON			
Volume (dm ³)	0.32			
Approx. weight (kgs.)	1.75			

		Key Selector Switch, 2-Positions 1NO-1NC (Stay put)		
		Cat. No.		
	Dead-end/ Top	Dead-end/ Bottom	Through-feed	
Entries	Ø1/2" NPT	EKS1-2C-TN1	EKS1-2C-BN1	EKS1-2C-CN1
	Ø3/4" NPT	EKS1-2C-TN2	EKS1-2C-BN2	EKS1-2C-CN2
Nameplate marking	MAN-AUTO			
Volume (dm ³)	0.32			
Approx. weight (kgs.)	1.75			

		Key Selector Switch, 2-Positions 1NO (Spring return from Right)		
		Cat. No.		
	Dead-end/ Top	Dead-end/ Bottom	Through-feed	
Entries	Ø1/2" NPT	EKS1-2AS-TN1	EKS1-2AS-BN1	EKS1-2AS-CN1
	Ø3/4" NPT	EKS1-2AS-TN2	EKS1-2AS-BN2	EKS1-2AS-CN2
Nameplate marking	OFF-ON			
Volume (dm ³)	0.32			
Approx. weight (kgs.)	1.75			

		Key Selector Switch, 2-Positions 2NO (Spring return from Right)		
		Cat. No.		
	Dead-end/ Top	Dead-end/ Bottom	Through-feed	
Entries	Ø1/2" NPT	EKS1-2DS-TN1	EKS1-2DS-BN1	EKS1-2DS-CN1
	Ø3/4" NPT	EKS1-2DS-TN2	EKS1-2DS-BN2	EKS1-2DS-CN2
Nameplate marking	OFF-ON			
Volume (dm ³)	0.32			
Approx. weight (kgs.)	1.75			

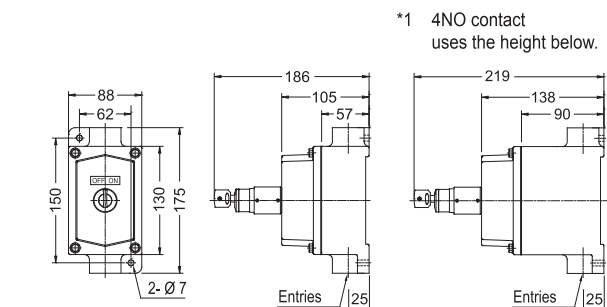
		Key Selector Switch, 3-Positions 2NO (Spring return from Right)		
		Cat. No.		
	Dead-end/ Top	Dead-end/ Bottom	Through-feed	
Entries	Ø1/2" NPT	EKS1-3DS-TN1	EKS1-3DS-BN1	EKS1-3DS-CN1
	Ø3/4" NPT	EKS1-3DS-TN2	EKS1-3DS-BN2	EKS1-3DS-CN2
Nameplate marking	MAN-OFF-AUTO			
Volume (dm ³)	0.32			
Approx. weight (kgs.)	1.75			

		Key Selector Switch, 3-Positions 2NO (Stay put)		
		Cat. No.		
	Dead-end/ Top	Dead-end/ Bottom	Through-feed	
Entries	Ø1/2" NPT	EKS1-3D-TN1	EKS1-3D-BN1	EKS1-3D-CN1
	Ø3/4" NPT	EKS1-3D-TN2	EKS1-3D-BN2	EKS1-3D-CN2
Nameplate marking	MAN-OFF-AUTO			
Volume (dm ³)	0.32			
Approx. weight (kgs.)	1.75			

		Key Selector Switch, 3-Positions 1NO-1NC (Spring return from Right)		
		Cat. No.		
	Dead-end/ Top	Dead-end/ Bottom	Through-feed	
Entries	Ø1/2" NPT	EKS1-3CS-TN1	EKS1-3CS-BN1	EKS1-3CS-CN1
	Ø3/4" NPT	EKS1-3CS-TN2	EKS1-3CS-BN2	EKS1-3CS-CN2
Nameplate marking	OFF-OPER-ON			
Volume (dm ³)	0.32			
Approx. weight (kgs.)	1.75			

		Key Selector Switch, 3-Positions 4NO (Stay put) *1		
		Cat. No.		
	Dead-end/ Top	Dead-end/ Bottom	Through-feed	
Entries	Ø1/2" NPT	EKS1-3F-TN1	EKS1-3F-BN1	EKS1-3F-CN1
	Ø3/4" NPT	EKS1-3F-TN2	EKS1-3F-BN2	EKS1-3F-CN2
Nameplate marking	MAN-OFF-AUTO			
Volume (dm ³)	0.32			
Approx. weight (kgs.)	1.75			

Dimension



Customized Control Station Specification Sheet

EPB/ EPL/ EPBL/ ESL/ EKS/ EEM Series



Flameproof and Dust protection by enclosure

Zone 1 & 2 – 22

Project: _____ Date: _____

Customer: _____ Owner: _____

Contact person: _____

Tel: _____ Fax: _____ E-mail: _____

Quantity (Set)	
----------------	--

Control Station Style

Single Gang, 1-unit
 Single Gang, 2-units
 Single Gang, 3-units
 Two Gangs, 2-units
 Two Gangs, 4-units
 Three Gangs, 3-units
 Three Gangs, 6-units

Entries
E1 Ø1/2" NPT Ø3/4" NPT
E2 Ø1/2" NPT Ø3/4" NPT

Panel Mounted Operating Devices Specifications

Unit	Panel Mounted Operating Devices	Nameplate
①	<input type="checkbox"/> Pilot Light (Voltage/ Colour) _____ <input type="checkbox"/> Push Button (Contact/ Colour) _____ <input type="checkbox"/> Mushroom-head Push Button (Contact/ Colour) _____ <input type="checkbox"/> Selector Switch (Contact/ Position) _____ <input type="checkbox"/> Key Selector Switch (Contact/ Position) _____	<input type="checkbox"/> No nameplate <input type="checkbox"/> ON <input type="checkbox"/> OFF <input type="checkbox"/> RUN <input type="checkbox"/> OVERLOAD <input type="checkbox"/> TRIP <input type="checkbox"/> RESET <input type="checkbox"/> START <input type="checkbox"/> STOP <input type="checkbox"/> OFF-ON <input type="checkbox"/> MAN-OFF-AUTO <input type="checkbox"/> MAN-AUTO <input type="checkbox"/> EMER. STOP <input type="checkbox"/> Others _____
②	<input type="checkbox"/> Pilot Light (Voltage/ Colour) _____ <input type="checkbox"/> Push Button (Contact/ Colour) _____ <input type="checkbox"/> Mushroom-head Push Button (Contact/ Colour) _____ <input type="checkbox"/> Selector Switch (Contact/ Position) _____ <input type="checkbox"/> Key Selector Switch (Contact/ Position) _____	<input type="checkbox"/> No nameplate <input type="checkbox"/> ON <input type="checkbox"/> OFF <input type="checkbox"/> RUN <input type="checkbox"/> OVERLOAD <input type="checkbox"/> TRIP <input type="checkbox"/> RESET <input type="checkbox"/> START <input type="checkbox"/> STOP <input type="checkbox"/> OFF-ON <input type="checkbox"/> MAN-OFF-AUTO <input type="checkbox"/> MAN-AUTO <input type="checkbox"/> EMER. STOP <input type="checkbox"/> Others _____
③	<input type="checkbox"/> Pilot Light (Voltage/ Colour) _____ <input type="checkbox"/> Push Button (Contact/ Colour) _____ <input type="checkbox"/> Mushroom-head Push Button (Contact/ Colour) _____ <input type="checkbox"/> Selector Switch (Contact/ Position) _____ <input type="checkbox"/> Key Selector Switch (Contact/ Position) _____	<input type="checkbox"/> No nameplate <input type="checkbox"/> ON <input type="checkbox"/> OFF <input type="checkbox"/> RUN <input type="checkbox"/> OVERLOAD <input type="checkbox"/> TRIP <input type="checkbox"/> RESET <input type="checkbox"/> START <input type="checkbox"/> STOP <input type="checkbox"/> OFF-ON <input type="checkbox"/> MAN-OFF-AUTO <input type="checkbox"/> MAN-AUTO <input type="checkbox"/> EMER. STOP <input type="checkbox"/> Others _____
④	<input type="checkbox"/> Pilot Light (Voltage/ Colour) _____ <input type="checkbox"/> Push Button (Contact/ Colour) _____ <input type="checkbox"/> Mushroom-head Push Button (Contact/ Colour) _____ <input type="checkbox"/> Selector Switch (Contact/ Position) _____ <input type="checkbox"/> Key Selector Switch (Contact/ Position) _____	<input type="checkbox"/> No nameplate <input type="checkbox"/> ON <input type="checkbox"/> OFF <input type="checkbox"/> RUN <input type="checkbox"/> OVERLOAD <input type="checkbox"/> TRIP <input type="checkbox"/> RESET <input type="checkbox"/> START <input type="checkbox"/> STOP <input type="checkbox"/> OFF-ON <input type="checkbox"/> MAN-OFF-AUTO <input type="checkbox"/> MAN-AUTO <input type="checkbox"/> EMER. STOP <input type="checkbox"/> Others _____
⑤	<input type="checkbox"/> Pilot Light (Voltage/ Colour) _____ <input type="checkbox"/> Push Button (Contact/ Colour) _____ <input type="checkbox"/> Mushroom-head Push Button (Contact/ Colour) _____ <input type="checkbox"/> Selector Switch (Contact/ Position) _____ <input type="checkbox"/> Key Selector Switch (Contact/ Position) _____	<input type="checkbox"/> No nameplate <input type="checkbox"/> ON <input type="checkbox"/> OFF <input type="checkbox"/> RUN <input type="checkbox"/> OVERLOAD <input type="checkbox"/> TRIP <input type="checkbox"/> RESET <input type="checkbox"/> START <input type="checkbox"/> STOP <input type="checkbox"/> OFF-ON <input type="checkbox"/> MAN-OFF-AUTO <input type="checkbox"/> MAN-AUTO <input type="checkbox"/> EMER. STOP <input type="checkbox"/> Others _____
⑥	<input type="checkbox"/> Pilot Light (Voltage/ Colour) _____ <input type="checkbox"/> Push Button (Contact/ Colour) _____ <input type="checkbox"/> Mushroom-head Push Button (Contact/ Colour) _____ <input type="checkbox"/> Selector Switch (Contact/ Position) _____ <input type="checkbox"/> Key Selector Switch (Contact/ Position) _____	<input type="checkbox"/> No nameplate <input type="checkbox"/> ON <input type="checkbox"/> OFF <input type="checkbox"/> RUN <input type="checkbox"/> OVERLOAD <input type="checkbox"/> TRIP <input type="checkbox"/> RESET <input type="checkbox"/> START <input type="checkbox"/> STOP <input type="checkbox"/> OFF-ON <input type="checkbox"/> MAN-OFF-AUTO <input type="checkbox"/> MAN-AUTO <input type="checkbox"/> EMER. STOP <input type="checkbox"/> Others _____

Nameplate Specifications

Material: Acrylic multipolymer (12 x 40mm.)
 Legend colour: Black letter, white background

